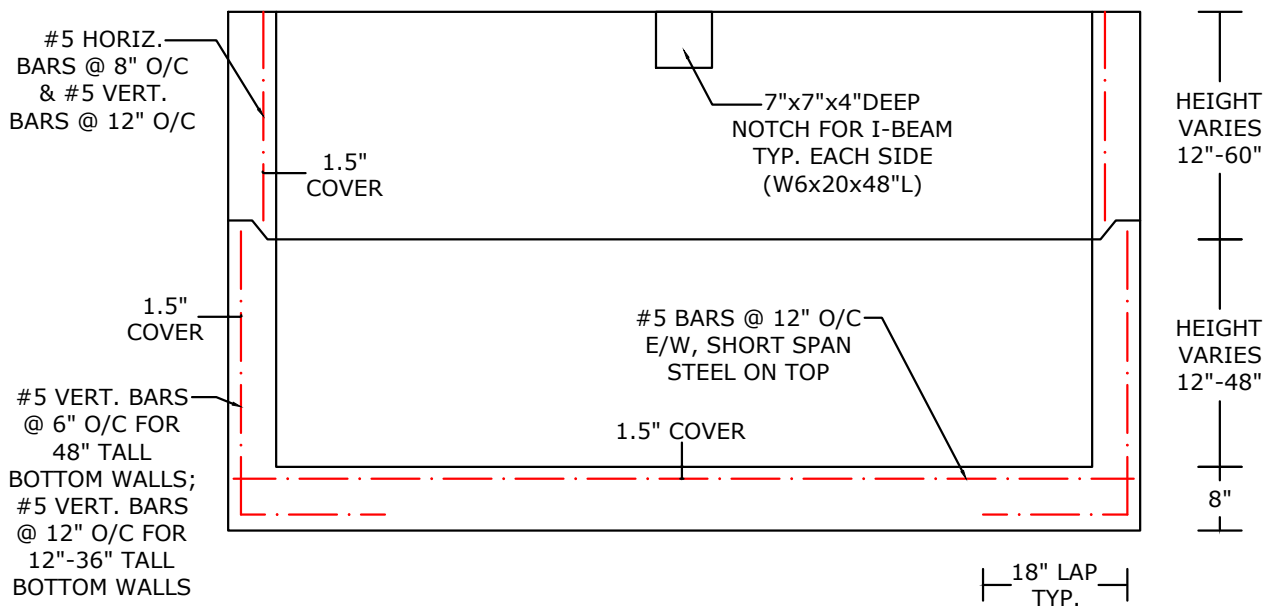


PLAN VIEW



SECTION VIEW

NOTES:

- HS-20 LOAD RATED
- CONCRETE 5,000 PSI @ 28 DAYS
- REINFORCING: AS SPECIFIED, GRADE 60 REBAR
- MANUFACTURED IN ACCORDANCE WITH ASTM C-913
- STEPS: STEEL REINFORCED POLYPROPYLENE COATED, DOT APPROVED
- 10'-0" MAX DEPTH FROM GRADE TO BOTTOM OF STRUCTURE

PEERLESS CONCRETE PRODUCTS CO.

SINCE 1959

sales@peerlessconcrete.com

246 Main Street
Butler, NJ 07405
973.838.3060p

www.peerlessconcrete.com

DOUBLE "B/E" CATCH BASIN

CUSTOMER:

PROJECT:

SCALE: N.T.S.

DATE: 12/2023

EST#:

C-10