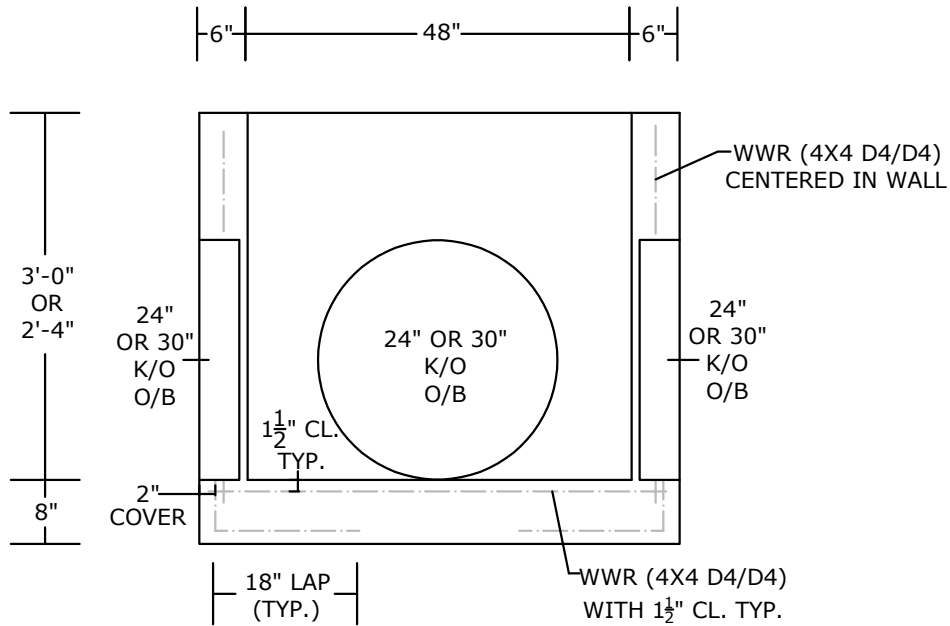


PLAN VIEW



SECTION VIEW

NOTES:

- HS-25 LOAD RATED
- CONCRETE 5,000 PSI @ 28 DAYS
- REINFORCING: AS SPECIFIED, GRADE 60 REBAR
- 2'-4" K/O WEIGHT: 3,600 LBS.
- 3'-0" K/O WEIGHT: 3,900 LBS.
- MANUFACTURED IN ACCORDANCE WITH ASTM C-913
- STEPS: STEEL REINFORCED POLYPROPYLENE COATED, DOT APPROVED

PEERLESS CONCRETE PRODUCTS CO.		246 Main Street Butler, NJ 07405 973.838.3060p	
<i>SINCE 1959</i>			
sales@peerlessconcrete.com		www.peerlessconcrete.com	
NEW JERSEY INLET TYPE "C/D" KNOCKOUT			
CUSTOMER:			
PROJECT:			
SCALE: N.T.S.	DATE: 12/2023	EST#:	C-12