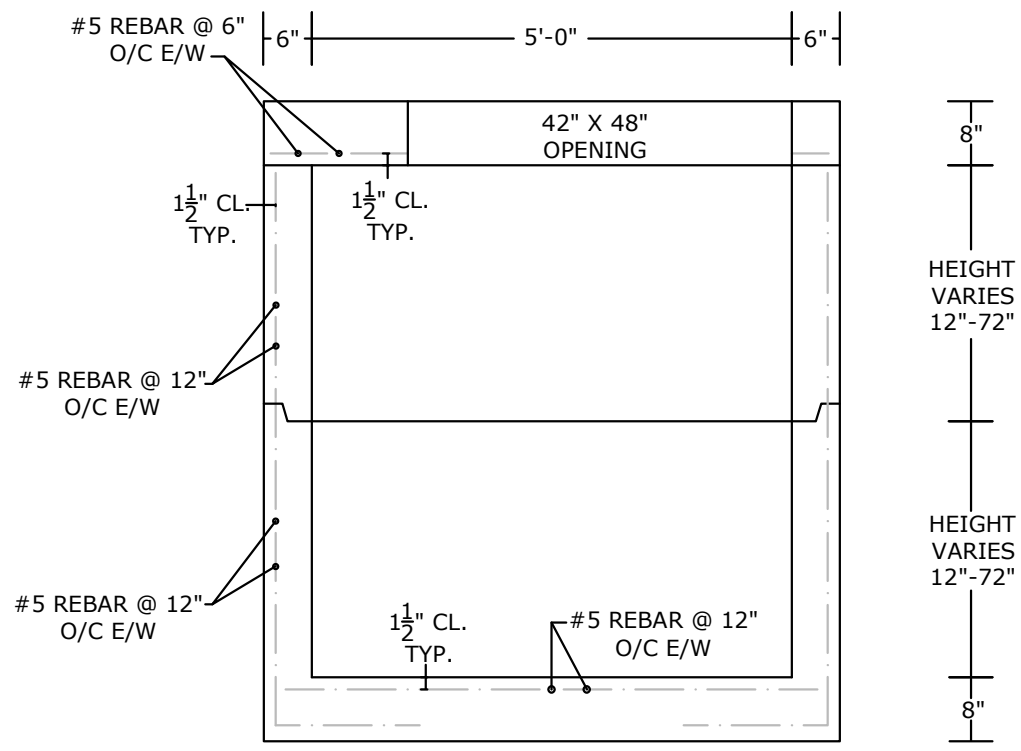


PLAN VIEW



SECTION VIEW

NOTES:

- HS-25 LOAD RATED
- CONCRETE 5,000 PSI @ 28 DAYS
- REINFORCING: AS SPECIFIED, GRADE 60 REBAR
- BASE WEIGHT: 3,750 LBS.
- WEIGHT PER V.F.: 1,705 LBS.
- TOP SLAB WEIGHT: 2,285 LBS.
- MANUFACTURED IN ACCORDANCE WITH ASTM C-913
- STEPS: STEEL REINFORCED POLYPROPYLENE COATED, DOT APPROVED

PEERLESS CONCRETE PRODUCTS CO. SINCE 1959		246 Main Street Butler, NJ 07405 973.838.3060p	
		sales@peerlessconcrete.com	
5'-0" X 5'-0" CATCH BASIN WITH TOP SLAB			
CUSTOMER:			
PROJECT:			
SCALE: N.T.S.	DATE: 12/2023	EST#:	C-15