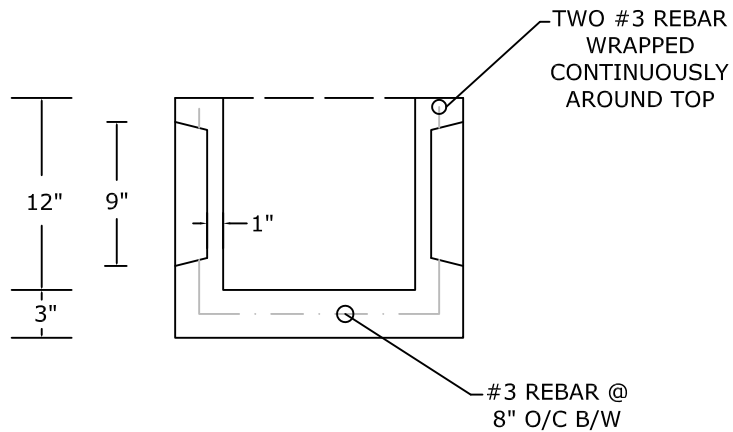


PLAN VIEW



SECTION VIEW

NOTES:

- HS-25 LOADING
- CONCRETE 5,000 PSI @ 28 DAYS
- REINFORCING: AS SPECIFIED, GRADE 60 REBAR
- MANUFACTURED IN ACCORDANCE WITH ASTM C-913
- WEIGHT: 225 LBS.±

PEERLESS CONCRETE PRODUCTS CO. SINCE 1959		246 Main Street Butler, NJ 07405 973.838.3060p	
		sales@peerlessconcrete.com	
12" X 12" KNOCKOUT CATCH BASIN			
CUSTOMER:			
PROJECT:			C-2
SCALE: N.T.S.	DATE: 12/2023	EST#:	