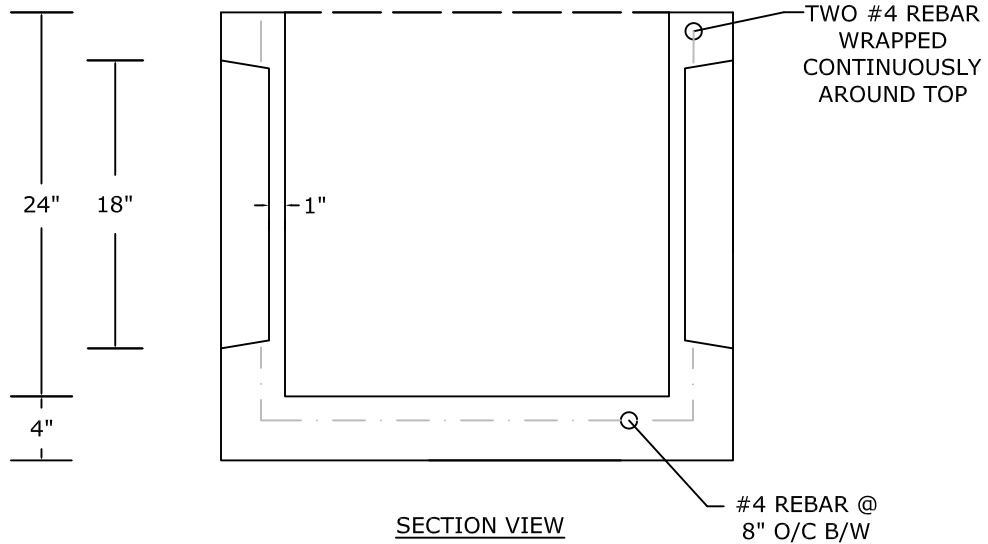


PLAN VIEW



SECTION VIEW

NOTES:

- HS-25 LOADING
- CONCRETE 5,000 PSI @ 28 DAYS
- REINFORCING: AS SPECIFIED, GRADE 60 REBAR
- MANUFACTURED IN ACCORDANCE WITH ASTM C-913
- WEIGHT: 1,100 LBS.±

PEERLESS CONCRETE PRODUCTS CO. SINCE 1959		246 Main Street Butler, NJ 07405 973.838.3060p	
		sales@peerlessconcrete.com	
24" X 24" KNOCKOUT CATCH BASIN			
CUSTOMER:			
PROJECT:			
SCALE: N.T.S.		DATE: 12/2023	EST#:
			C-4