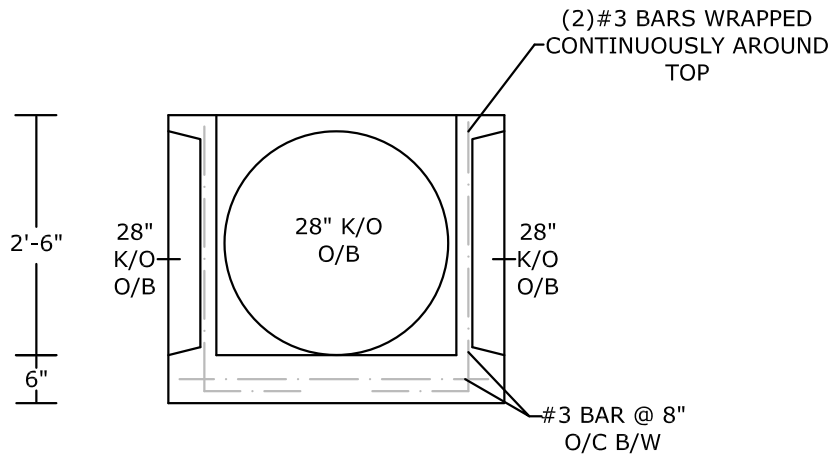


PLAN VIEW



SECTION VIEW

**NOTES:**

- HS-25 LOADING
- CONCRETE 5,000 PSI @ 28 DAYS
- REINFORCING: AS SPECIFIED, GRADE 60 REBAR
- MANUFACTURED IN ACCORDANCE WITH ASTM C-913
- WEIGHT: 2,200 LBS.±

<b>PEERLESS CONCRETE PRODUCTS CO.</b>		246 Main Street Butler, NJ 07405 973.838.3060p	
SINCE 1959		sales@peerlessconcrete.com    www.peerlessconcrete.com	
<b>30" X 30" KNOCKOUT CATCH BASIN</b>			
CUSTOMER:			
PROJECT:			
SCALE: N.T.S.	DATE: 12/2023	EST#:	<b>C-5</b>