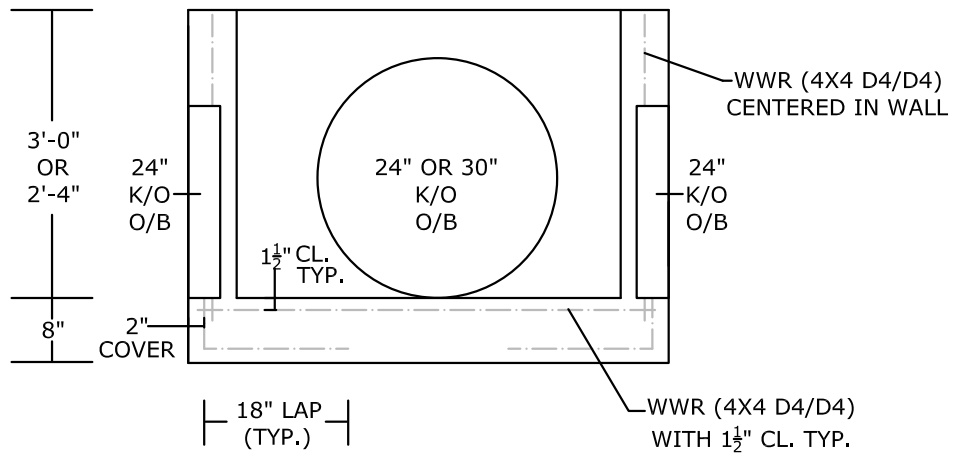
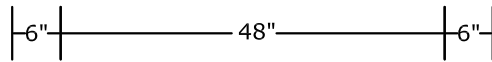


PLAN VIEW



SECTION VIEW

NOTES:

- HS-25 LOAD RATED
- CONCRETE 5,000 PSI @ 28 DAYS
- REINFORCING: AS SPECIFIED, GRADE 60 REBAR
- 2'-4" K/O WEIGHT: 3,200 LBS.
- 3'-0" K/O WEIGHT: 3,700 LBS.
- MANUFACTURED IN ACCORDANCE WITH ASTM C-913
- STEPS: STEEL REINFORCED POLYPROPYLENE COATED, DOT APPROVED

PEERLESS CONCRETE PRODUCTS CO. SINCE 1959		246 Main Street Butler, NJ 07405 973.838.3060p	
		sales@peerlessconcrete.com www.peerlessconcrete.com	
NEW JERSEY INLET TYPE "A" KNOCKOUT			
CUSTOMER:			
PROJECT:			
SCALE: N.T.S.	DATE: 12/2023	EST#:	C-7