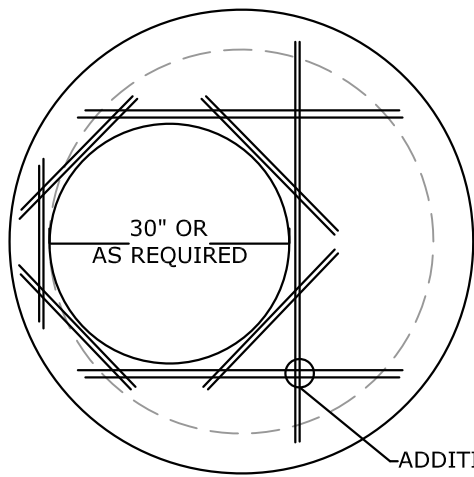
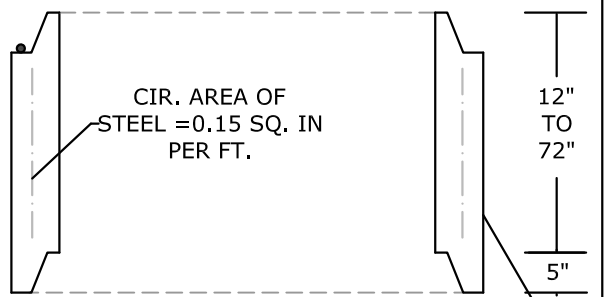


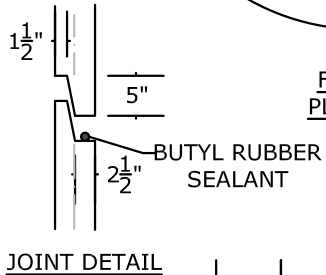
**FLAT TOP
SIDE VIEW**



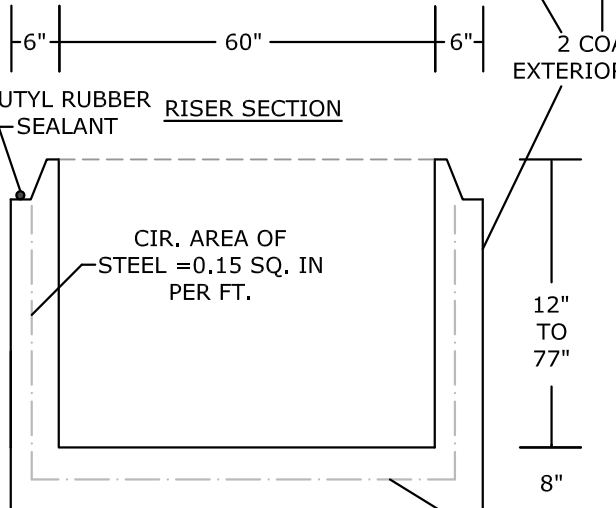
**FLAT TOP
PLAN VIEW**



CIR. AREA OF
STEEL = 0.15 SQ. IN
PER FT.



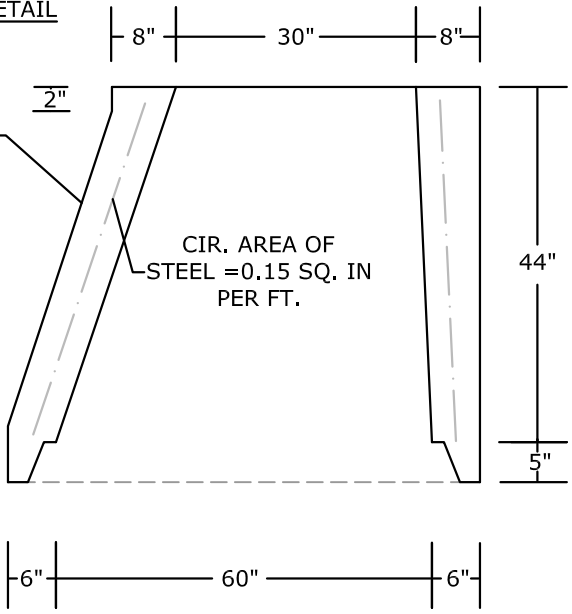
JOINT DETAIL



RISER SECTION

CIR. AREA OF
STEEL = 0.15 SQ. IN
PER FT.

2 COATS OF
EXTERIOR COATING



CONE SECTION

- NOTES:**
- HS-25 LOAD RATED
 - CONCRETE 5,000 PSI @ 28 DAYS
 - REINFORCING: AS SPECIFIED, GRADE 60 REBAR
 - 8" BASE WEIGHT: 2,800 LBS.
 - WEIGHT PER V.F.: 1,300 LBS.
 - FLAT TOP WEIGHT: 4,200 LBS.
 - 3.7' CONE WEIGHT: 4,810 LBS.
 - MANUFACTURED IN ACCORDANCE WITH ASTM C-478
 - STEPS: 12" O/C - STEEL REINFORCED POLYPROPYLENE COATED, DOT APPROVED

PEERLESS CONCRETE PRODUCTS CO.		246 Main Street Butler, NJ 07405 973.838.3060p	
SINCE 1959		www.peerlessconcrete.com	
sales@peerlessconcrete.com		www.peerlessconcrete.com	
60" DIAMETER SANITARY MANHOLE			
CUSTOMER:			
PROJECT:			
SCALE: N.T.S.	DATE: 12/2023	EST#:	D-7