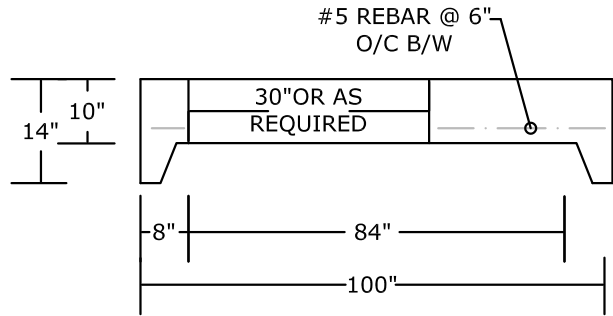
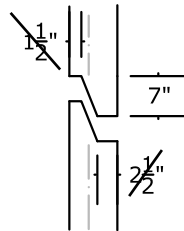


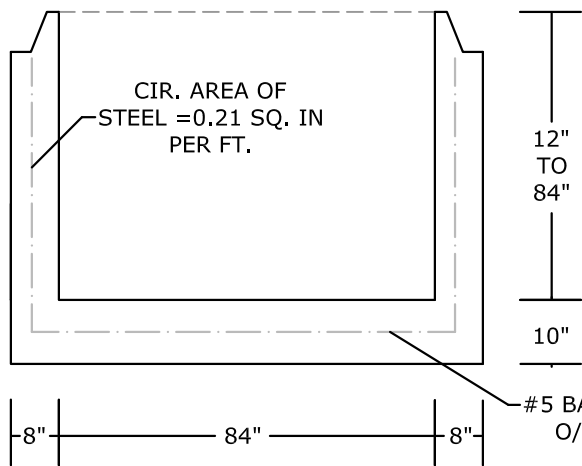
RISER SECTION



FLAT TOP SIDE VIEW

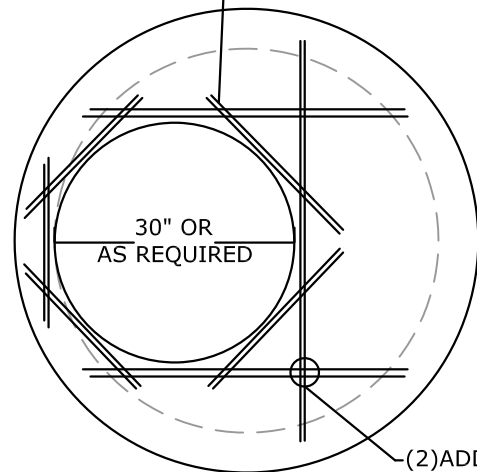


JOINT DETAIL



BASE SECTION

(2) #4 DIAGONAL BARS NEXT TO OPENING



FLAT TOP PLAN VIEW

NOTES:

- HS-25 LOAD RATED
- CONCRETE 5,000 PSI @ 28 DAYS
- REINFORCING: AS SPECIFIED, GRADE 60 REBAR
- 8" BASE WEIGHT: 5,000 LBS.
- WEIGHT PER V.F.: 1,800 LBS.
- FLAT TOP WEIGHT: 5,000 LBS.
- MANUFACTURED IN ACCORDANCE WITH ASTM C-478
- STEPS: 12" O/C - STEEL REINFORCED POLYPROPYLENE COATED, DOT APPROVED

PEERLESS CONCRETE PRODUCTS CO.

246 Main Street
Butler, NJ 07405
973.838.3060p

SINCE 1959

sales@peerlessconcrete.com

www.peerlessconcrete.com

84" DIAMETER STORM MANHOLE

CUSTOMER:

PROJECT:

SCALE: N.T.S.

DATE: 12/2023

EST#:

D-9