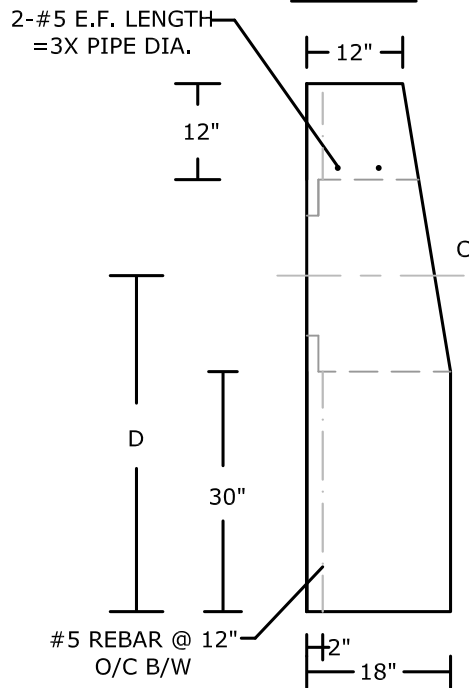


PLAN VIEW



SECTION VIEW

PIPE DIA.	A	B	C	D
12"	64"	72"	12"/20"	40"
15"	66"	72"	15"/24"	42"
18"	72"	72"	18"/27"	43"
24"	78"	84"	24"/34"	47"
30"	84"	84"	30"/40"	50"
36"	90"	84"	36"/48"	54"
48"	102"	108"	48"/64"	60"

NOTES:

- CONCRETE 5,000 PSI @ 28 DAYS
- REINFORCING: AS SPECIFIED, GRADE 60 REBAR
- MANUFACTURED IN ACCORDANCE WITH ASTM C-890
- 1" CHAMFER ON ALL EXPOSED EDGES

PEERLESS CONCRETE PRODUCTS CO.		246 Main Street Butler, NJ 07405 973.838.3060p	
SINCE 1959			
sales@peerlessconcrete.com		www.peerlessconcrete.com	
FLAT HEADWALL			
CUSTOMER:			
PROJECT:			
SCALE: N.T.S.	DATE: 12/2023	EST#:	E-10