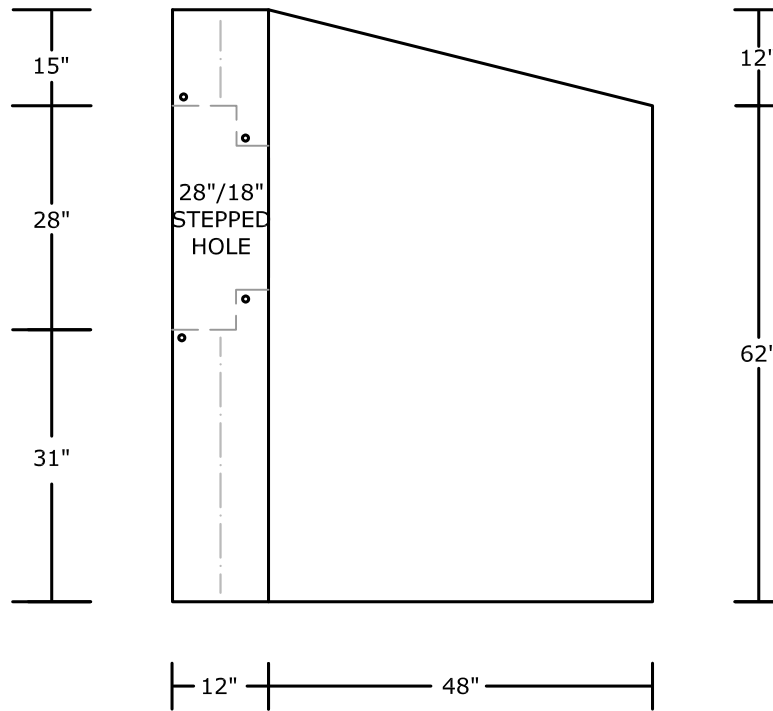


PLAN VIEW



SECTION VIEW

**NOTES:**

- CONCRETE 5,000 PSI @ 28 DAYS
- REINFORCING: AS SPECIFIED, GRADE 60 REBAR
- MANUFACTURED IN ACCORDANCE WITH ASTM C-890
- 1" CHAMFER ON ALL EXPOSED EDGES
- WEIGHT: 9,500 LBS. +/-

<b>PEERLESS CONCRETE PRODUCTS CO.</b> SINCE 1959		246 Main Street Butler, NJ 07405 973.838.3060p	
		sales@peerlessconcrete.com    www.peerlessconcrete.com	
<b>18" RCP WINGWALL</b>			
CUSTOMER:			
PROJECT:			
SCALE: N.T.S.	DATE: 12/2023	EST#:	<b>E-4</b>