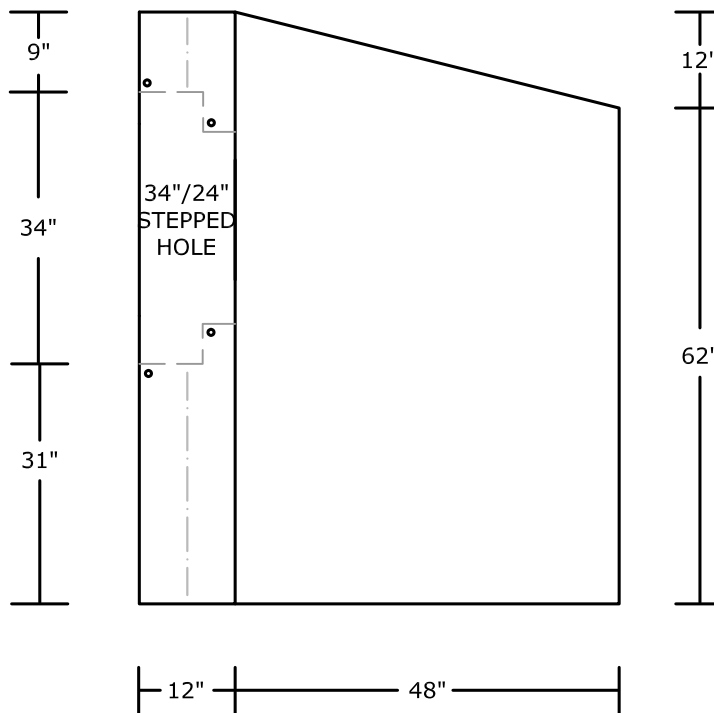


PLAN VIEW



SECTION VIEW

NOTES:

- CONCRETE 5,000 PSI @ 28 DAYS
- REINFORCING: AS SPECIFIED, GRADE 60 REBAR
- MANUFACTURED IN ACCORDANCE WITH ASTM C-890
- 1" CHAMFER ON ALL EXPOSED EDGES
- WEIGHT: 9,500 LBS. +/-

PEERLESS CONCRETE PRODUCTS CO.		246 Main Street Butler, NJ 07405 973.838.3060p	
<i>SINCE 1959</i>			
sales@peerlessconcrete.com		www.peerlessconcrete.com	
24" RCP WINGWALL			
CUSTOMER:			
PROJECT:			
SCALE: N.T.S.	DATE: 12/2023	EST#:	E-5