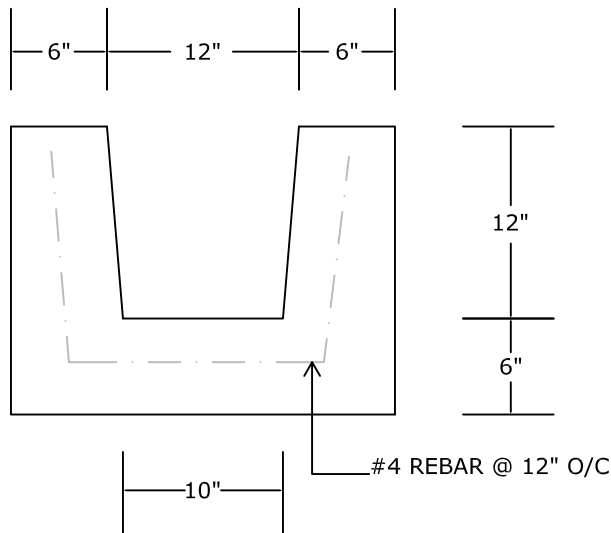
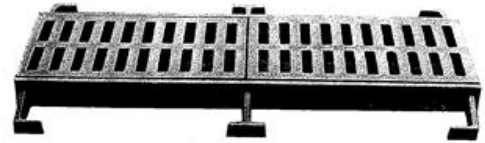


PLAN VIEW



SECTION VIEW



NOTES:

- HS-20 LOADING
- CONCRETE 5,000 PSI @ 28 DAYS
- REINFORCING: AS SPECIFIED, GRADE 60 REBAR
- MANUFACTURED IN ACCORDANCE WITH ASTM C-890
- 9" x 9" KNOCKOUT PROVIDED ON END UNITS

PEERLESS CONCRETE PRODUCTS CO. <i>SINCE 1959</i>		246 Main Street Butler, NJ 07405 973.838.3060p	
		sales@peerlessconcrete.com	
TRENCH DRAIN 12" X 12" X 48"			
CUSTOMER:			
PROJECT:			
SCALE: N.T.S.	DATE: 12/2023	EST#:	F-2