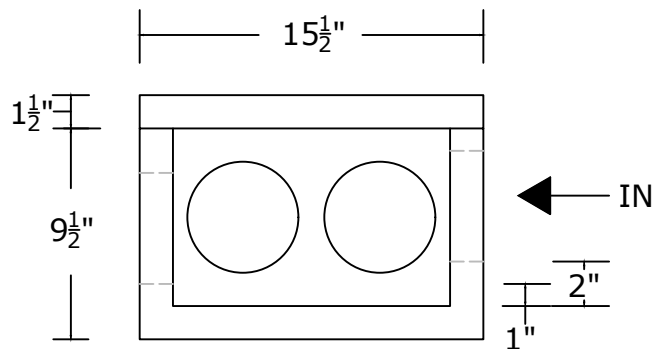
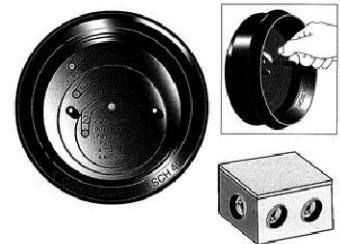


PLAN VIEW



SECTION VIEW

IMAGE 1



NOTES:

- CONCRETE 5,000 PSI @ 28 DAYS
- NOT DESIGNED FOR TRAFFIC BEARING APPLICATIONS
- WATERTIGHT PLASTIC SEALS TO ACCOMMODATE 4" PIPE (SEE IMAGE 1)
- INTENDED USE IN SEPTIC INSTALLATIONS

PEERLESS CONCRETE PRODUCTS CO.		246 Main Street Butler, NJ 07405 973.838.3060p	
<i>SINCE 1959</i>		www.peerlessconcrete.com	
sales@peerlessconcrete.com		www.peerlessconcrete.com	
5 OUTLET SMALL DISTRIBUTION BOX			
CUSTOMER:			
PROJECT:			
SCALE: N.T.S.	DATE: 1/2025	EST#:	A-38