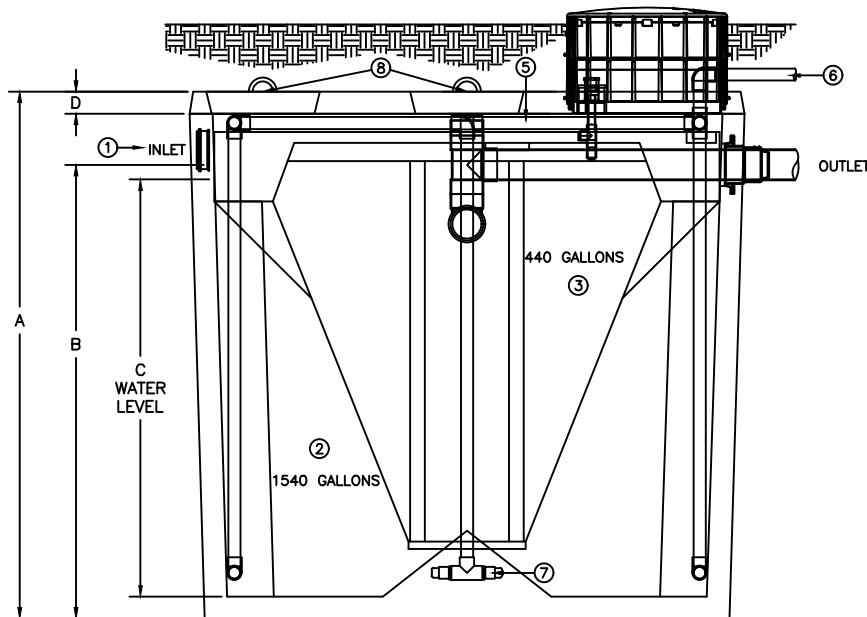
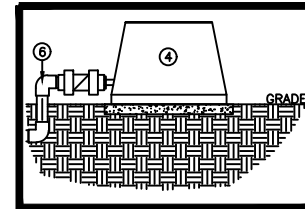


PLAN VIEW



SIDE ELEVATION

TROY AIR BLOWER



CRITICAL DIMENSIONS	
A	79.00"
B	71.25"
C	68.00"
D	3"
E	89.00"
F	84.00"
G	85.50"
H	79.50"

THE H-SERIES HOOT AEROBIC TREATMENT SYSTEM

- 1) SEPARATE PRETREATMENT TANK REQUIRED (MIN. 800 GALLONS, PROVIDED THROUGH HOOT DISTRIBUTOR)- WHERE ANAEROBIC DIGESTION OCCURS AND STORAGE FOR NON-BIODEGRADABLE MATERIALS.
- 2) AERATION CHAMBER- WHERE AIR IS INTRODUCED INTO SEWAGE FOR DIGESTION.
- 3) CLARIFIER- A STILL CHAMBER WHERE SOLIDS SETTLE OUT AND THE CLEAR EFFLUENT RISES.
- 4) TROY AIR LINEAR AIR BLOWER- LONG LIFE, EFFICIENT LINEAR BLOWER WHICH COMPRESSED ATMOSPHERIC AIR AND UNDER PRESSURE DELIVERS IT TO THE TANK. MAY BE REMOTELY MOUNTED UP TO 50' FROM SYSTEM. MUST MAINTAIN 1/8" SLOPE TOWARDS TANK FOR DRAINAGE.
- 5) AIR MANIFOLD- DELIVERS THE AIR FROM THE LINE TO THE STONES FOR DIFFUSION INTO THE SEWAGE.
- 6) AERATION LINE- DELIVERS THE AIR FROM THE PUMP TO THE MANIFOLD. CHECK VALVE INCLUDED.
- 7) AERATION STONE- AIR IS FINELY DIFFUSED FROM THE STONE INTO THE AERATION CHAMBER.
- 8) 15" COVERS- PROVIDE ASSEMBLY PORT ACCESS INSIDE OF THE SYSTEM. (NOT REQUIRED FOR REGULAR SERVICE)

PEERLESS CONCRETE PRODUCTS CO.

SINCE 1959

sales@peerlessconcrete.com

246 Main Street
Butler, NJ 07405
973.838.3060p

20 Park Drive
Franklin, NJ 07416
973.827.7563p

www.peerlessconcrete.com



HOOT SYSTEMS, LLC
www.hootsystems.com

THIS DRAWING IS THE PROPRIETARY PROPERTY OF HOOT SYSTEMS LLC. REPRODUCTION, DISCLOSURE OR USE OF ANY PART OF THIS DRAWING OR ANY INFORMATION THEREIN IS EXPRESSLY PROHIBITED WITHOUT PRIOR WRITTEN CONSENT OF HOOT SYSTEMS LLC.

DESCRIPTION:
1000/1200 GPD GRAVITY DISCHARGE SYSTEM
HOOT SYSTEMS H-1000_1200

PART #

DATE: 05-25-2016
DRAWN BY: AY
CHECK BY: RS
SCALE: N.T.S.

H-1000_1200
GRAVITY

A-50