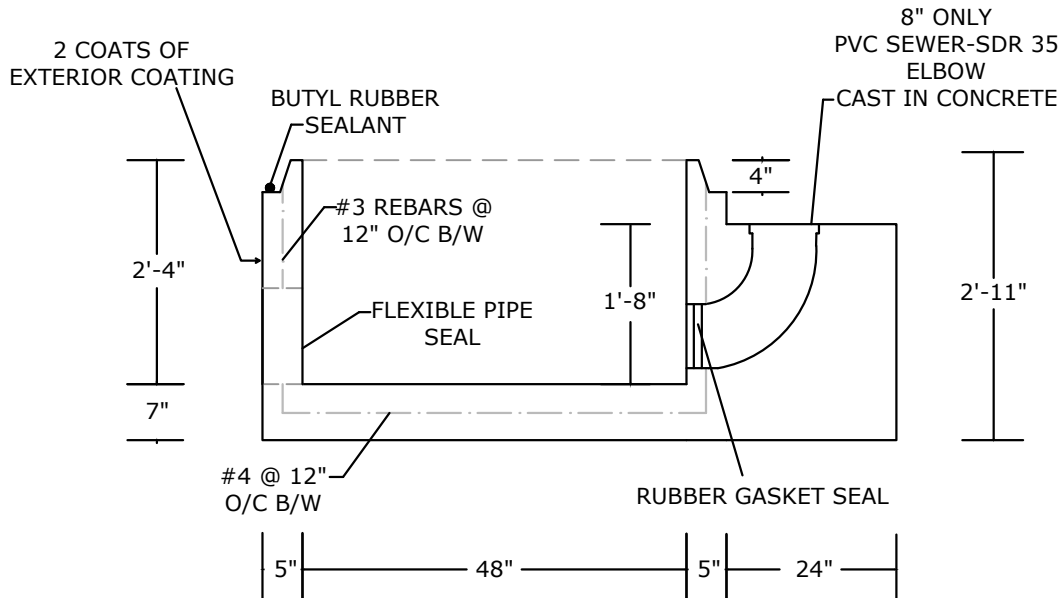


PLAN VIEW



BASE SECTION

NOTES:

- HS-25 LOAD RATED
- CONCRETE 5,000 PSI @ 28 DAYS
- REINFORCING: AS SPECIFIED, GRADE 60 REBAR
- BASE WEIGHT: 4,600 LBS. +/-
- MANUFACTURED IN ACCORDANCE WITH ASTM C-478
- STEPS: 12" O/C - STEEL REINFORCED POLYPROPYLENE COATED, DOT APPROVED
- 4"-12" PVC CHANNEL (MAX.), AS NEEDED

PEERLESS CONCRETE PRODUCTS CO.		246 Main Street Butler, NJ 07405 973.838.3060p	
<i>SINCE 1959</i>		www.peerlessconcrete.com	
sales@peerlessconcrete.com		www.peerlessconcrete.com	
48" DIAMETER DROP BASE SANITARY MANHOLE			
CUSTOMER:			
PROJECT:			
SCALE: N.T.S.	DATE: 2/2025	EST#:	D-4