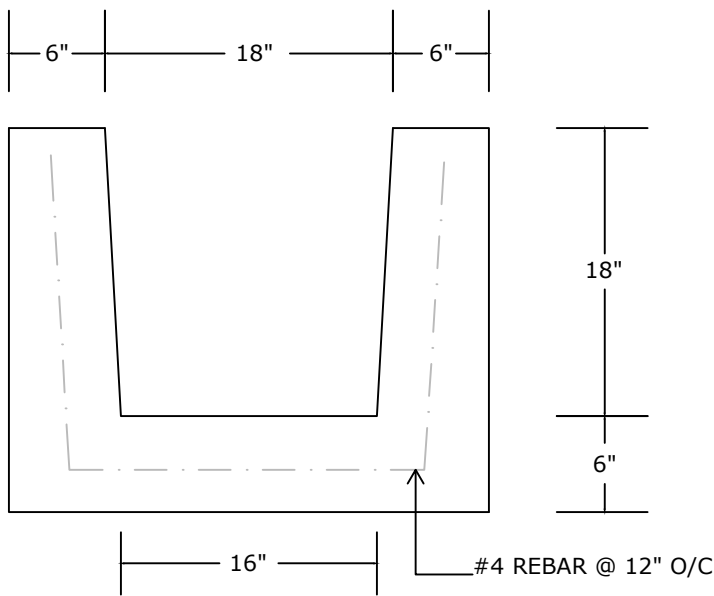
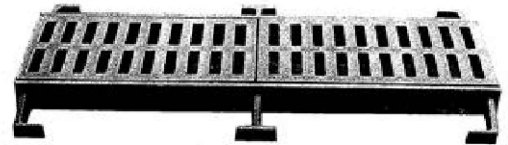


PLAN VIEW



SECTION VIEW



**NOTES:**

- HS-20 LOADING
- CONCRETE 5,000 PSI @ 28 DAYS
- REINFORCING: AS SPECIFIED, GRADE 60 REBAR
- MANUFACTURED IN ACCORDANCE WITH ASTM C-890
- KNOCKOUTS PROVIDED ON END UNITS, AS REQUIRED

|   |               |  |            |
|---|---------------|--|------------|
| <b>PEERLESS CONCRETE PRODUCTS CO.</b><br>SINCE 1959 |               | 246 Main Street<br>Butler, NJ 07405<br>973.838.3060p   |            |
|   |               | sales@peerlessconcrete.com    www.peerlessconcrete.com |            |
| <b>TRENCH DRAIN 18" X 18" X 96"</b>                 |               |  |            |
| CUSTOMER:   |               |  |            |
| PROJECT:  |               |  |            |
| SCALE: N.T.S.                                       | DATE: 12/2023 | EST#:  | <b>F-6</b> |