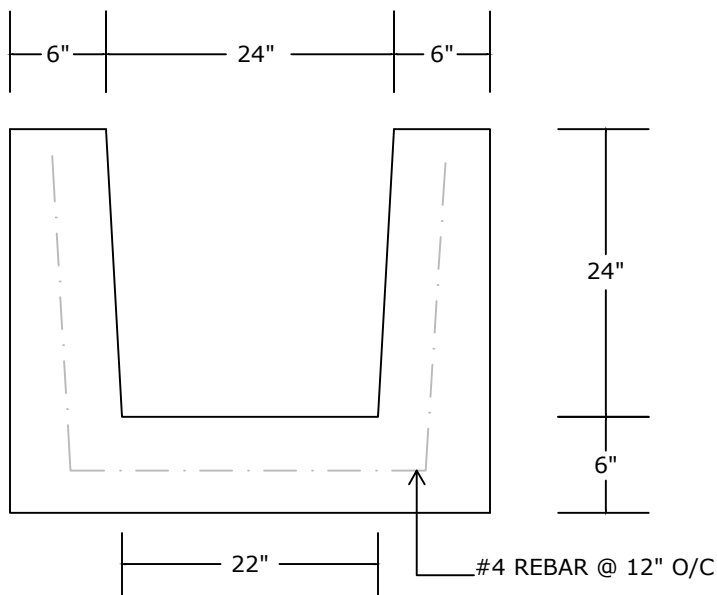
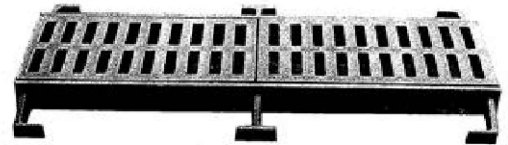


PLAN VIEW



SECTION VIEW



**NOTES:**

- HS-20 LOADING
- CONCRETE 5,000 PSI @ 28 DAYS
- REINFORCING: AS SPECIFIED, GRADE 60 REBAR
- MANUFACTURED IN ACCORDANCE WITH ASTM C-890
- KNOCKOUTS PROVIDED ON END UNITS, AS REQUIRED

**PEERLESS CONCRETE PRODUCTS CO.**

SINCE 1959

sales@peerlessconcrete.com

246 Main Street  
Butler, NJ 07405  
973.838.3060p

www.peerlessconcrete.com

**TRENCH DRAIN 24" X 24" X 96"**

CUSTOMER:

PROJECT:

SCALE: N.T.S.

DATE: 12/2023

EST#:

**F-7**